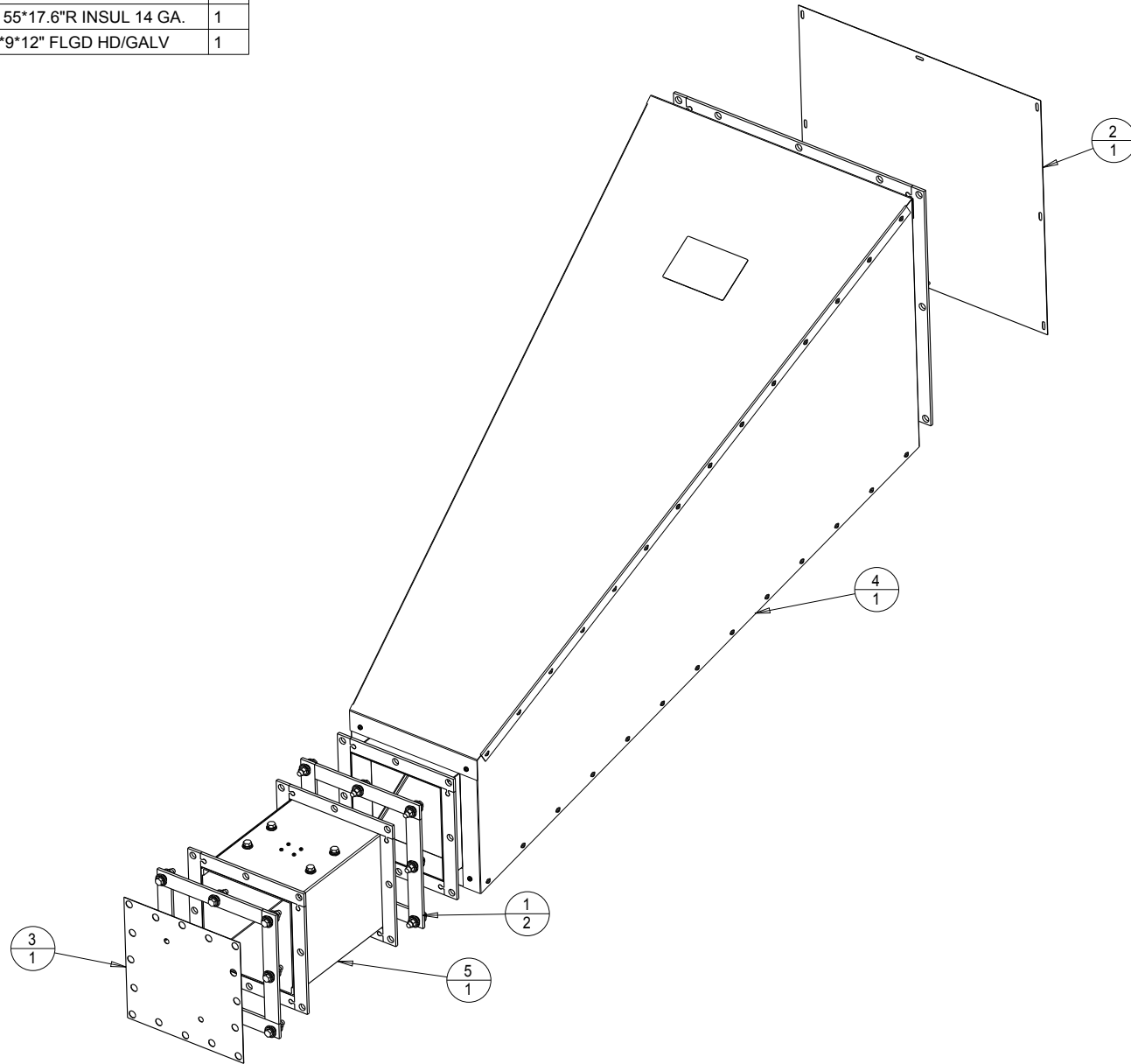


INDEX	PART#	DESCRIPTION	QTY
1	10121	KIT, GSKT, SH 9*9" C/W HDW	2
2	13294-02	COVER, SHPNG, TRNSN SH	1
3	13294-03	COVER, SHPNG, CROSS DUCTS SH/HAC	1
4	13712	DUCT, TRNSN 19*22>9*9" 55*17.6"R INSUL 14 GA.	1
5	14678	DUCT, SNSR BOX MTG, 9*9*12" FLGD HD/GALV	1

TITLE	DRAWING NUMBER	REV.
DUCT ASSY, TRNS 19X22>9X9 HF900, 55X17.6"R	17118	A SHT. 1/1



SCALE 0.075

MATERIAL	AS SHOWN	SCALE	AS SHOWN	UNLESS OTHERWISE SPECIFIED DIMENSIONS ARE IN INCHES	XX ± 0.03 XXX ± 0.01	ANGLES ± 0.5 ° OTHER _____	CCI THERMAL TECHNOLOGIES INC.	DWG SIZE	A	MODELLED IN PROE AND REDRAWN. NON ECN.	7JULY2011	GCH
							DWN CCB	DATE DWN 13MAR2001	CHKD	DATE		CHKD
									A1	REV	DESCRIPTION	DATE