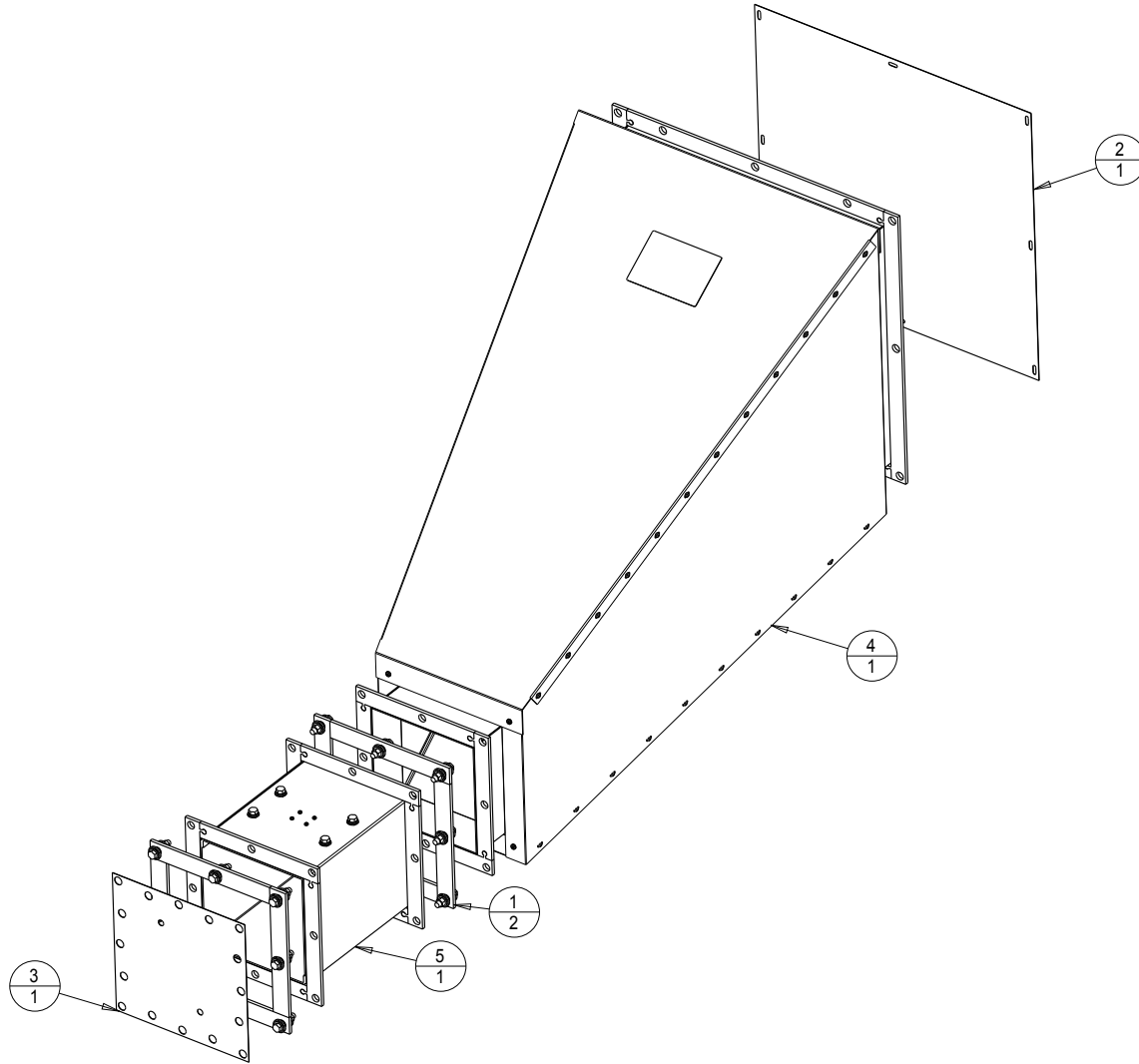


INDEX	PART#	DESCRIPTION	QTY
1	10121	KIT, GSKT, SH 9*9" C/W HDW	2
2	13294-02	COVER, SHPNG, TRNSN SH	1
3	13294-03	COVER, SHPNG, CROSS DUCTS SH/HAC	1
4	13372	DUCT, TRNSN 19*22>9*9" 40*13.4"R INSUL 14 GA	1
5	14678	DUCT, SNSR BOX MTG, 9*9*12" FLGD HD/GALV	1

TITLE DUCT ASSY, TRANS 19X22>9X9 HF900, 40X13.3"R	DRAWING NUMBER	REV.
	17117	A SHT. 1/1



MATERIAL AS SHOWN	SCALE AS SHOWN	UNLESS OTHERWISE SPECIFIED DIMENSIONS ARE IN INCHES	XX ± 0.03 XXX ± 0.01	ANGLES ± 0.5 ° OTHER _____	CCI THERMAL TECHNOLOGIES INC.				DWG SIZE	A	MODELLED IN PROE AND REDRAWN. NON ECN.	7JULY2011	GCH
					DWN CCB	DATE DWN 13MAR2001	CHKD	DATE	A1	REV	DESCRIPTION	DATE	CHKD