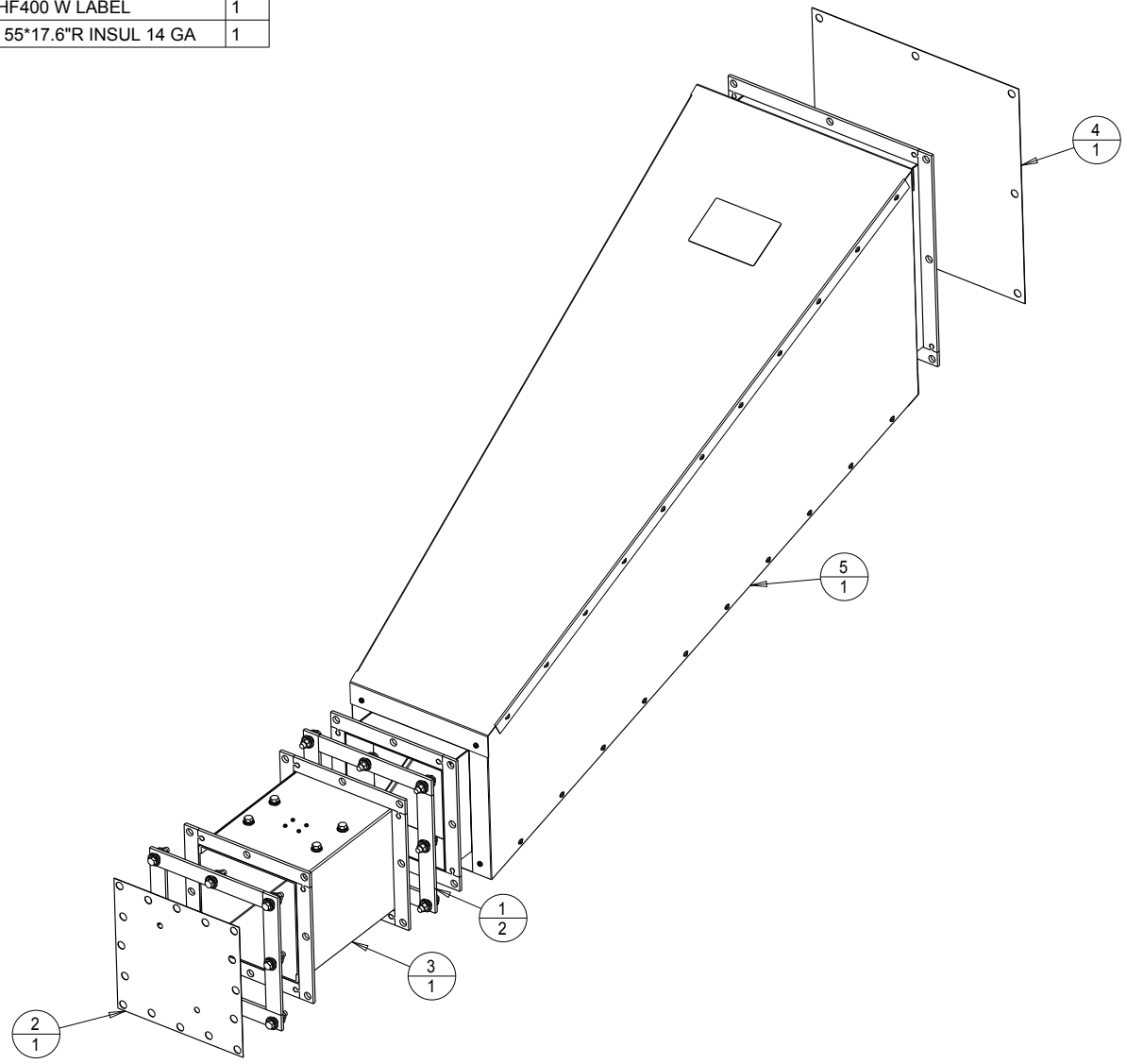


INDEX	PART#	DESCRIPTION	QTY
1	10121	KIT, GSKT, SH 9*9" C/W HDW	2
2	13294-03	COVER, SHPNG, CROSS DUCTS SH/HAC	1
3	14678	DUCT, SNSR BOX MTG, 9*9*12" FLGD HD/GALV	1
4	16717	COVER, SHPNG, TRNSN HF400 W LABEL	1
5	16723	DUCT, TRNSN 16*16>9*9" 55*17.6"R INSUL 14 GA	1

TITLE	DRAWING NUMBER	REV.
DUCT ASSY, TRANS 16X16>9X9 HF400, 55X17.6"R	17115	A SHT. 1/1



MATERIAL	AS SHOWN	SCALE	AS SHOWN	UNLESS OTHERWISE SPECIFIED DIMENSIONS ARE IN INCHES	XX ± 0.03 XXX ± 0.01	ANGLES ± 0.5 ° OTHER _____	CCI THERMAL TECHNOLOGIES INC.	DWG SIZE	A	MODELLED IN PROE AND REDRAWN. NON ECN.	7JULY2011	GCH
							DWN CCB	DATE DWN 13MAR2001	CHKD	DATE		
							A1	REV		DESCRIPTION	DATE	CHKD