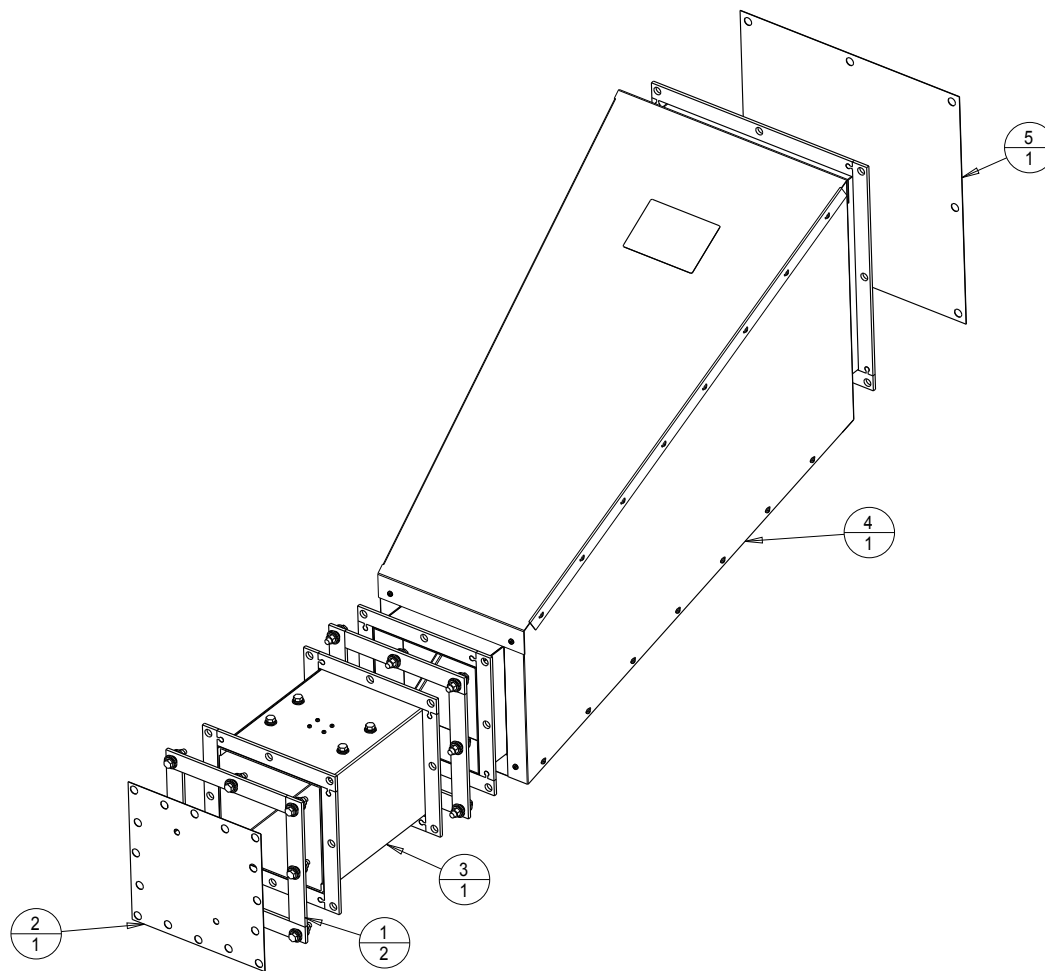


| INDEX | PART#    | DESCRIPTION                                  | QTY |
|-------|----------|--|-----|
| 1     | 10121    | KIT, GSKT, SH 9*9" C/W HDW                   | 2   |
| 2     | 13294-03 | COVER, SHPNG, CROSS DUCTS SH/HAC             | 1   |
| 3     | 14678    | DUCT, SNSR BOX MTG, 9*9*12" FLGD HD/GALV     | 1   |
| 4     | 16712    | DUCT, TRNSN 16*16>9*9" 40*13.4"R INSUL 14 GA | 1   |
| 5     | 16717    | COVER, SHPNG, TRNSN HF400 W LABEL            | 1   |

|   |                |               |
|---|----------------|---------------|
| TITLE<br>DUCT ASSY, TRANS 16X16>9X9<br>HF400, 40X13.3"R | DRAWING NUMBER | REV.          |
|   | 17114          | A<br>SHT. 1/1 |



SCALE 0.075

|                      |                   |  |                         |                               |                               |                       |      |      |             |     |  |           |      |
|----------------------|-------------------|--|-------------------------|-------------------------------|-------------------------------|-----------------------|------|------|-------------|-----|--|-----------|------|
| MATERIAL<br>AS SHOWN | SCALE<br>AS SHOWN | UNLESS OTHERWISE SPECIFIED<br>DIMENSIONS ARE IN INCHES | XX ± 0.03<br>XXX ± 0.01 | ANGLES ± 0.5 °<br>OTHER _____ | CCI THERMAL TECHNOLOGIES INC. |                       |      |      | DWG<br>SIZE | A   | MODELLED IN PROE AND REDRAWN. NON ECN. | 7JULY2011 | GCH  |
|                      |                   |  |                         |                               | DWN<br>CCB                    | DATE DWN<br>13MAR2001 | CHKD | DATE | A1          | REV | DESCRIPTION                            | DATE      | CHKD |