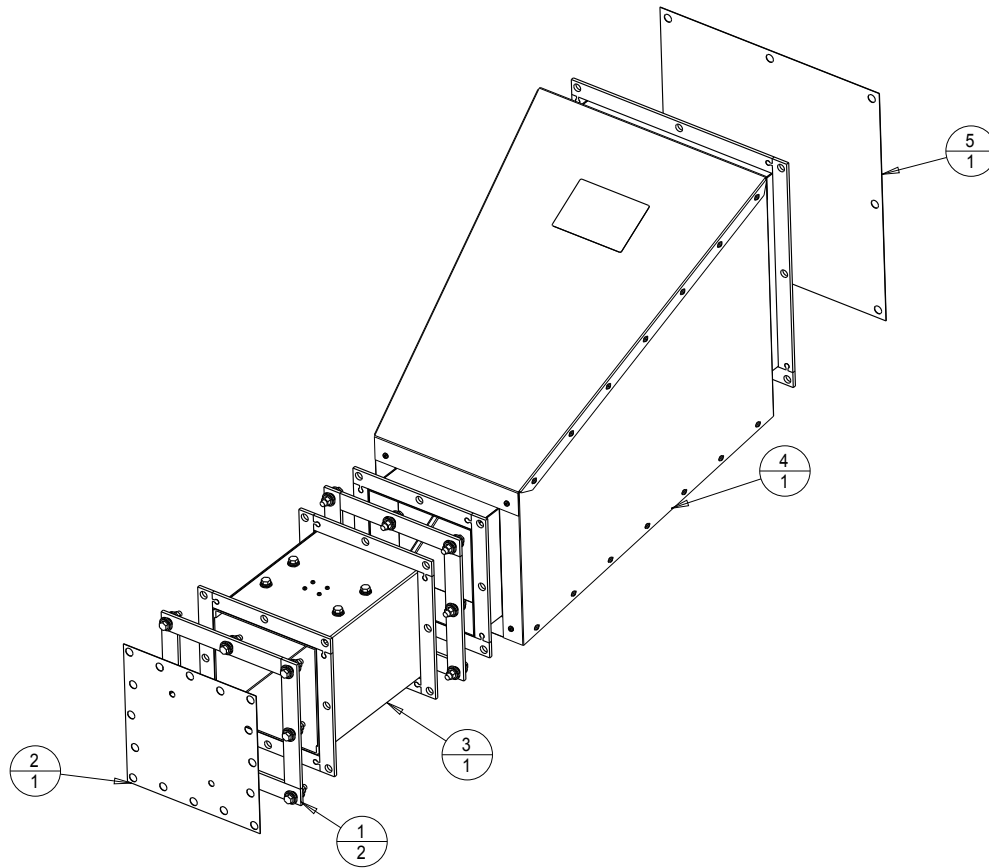


INDEX	PART#	DESCRIPTION	QTY
1	10121	KIT, GSKT, SH 9*9" C/W HDW	2
2	13294-03	COVER, SHPNG, CROSS DUCTS SH/HAC	1
3	14678	DUCT, SNSR BOX MTG, 9*9*12" FLGD HD/GALV	1
4	16715	DUCT, 14GA TRNSN 16*16>9*9" 31*7"R INSUL	1
5	16717	COVER, SHPNG, TRNSN HF400 W LABEL	1

TITLE	DRAWING NUMBER	REV.
DUCT ASSY, TRANS 16X16>9X9 HF400, 31X7"R	17113	A
		SHT. 1/1



MATERIAL	AS SHOWN
----------	----------

SCALE	UNLESS OTHERWISE SPECIFIED DIMENSIONS ARE IN INCHES	XX ± 0.03 XXX ± 0.01	ANGLES ± 0.5 ° OTHER _____
AS SHOWN			

CCI THERMAL TECHNOLOGIES INC.			
DWN	DATE DWN	CHKD	DATE
CCB	13MAR2001		

DWG SIZE	A	MODELLED IN PROE AND REDRAWN. NON ECN.	7JULY2011	GCH
REV	A1	DESCRIPTION	DATE	CHKD