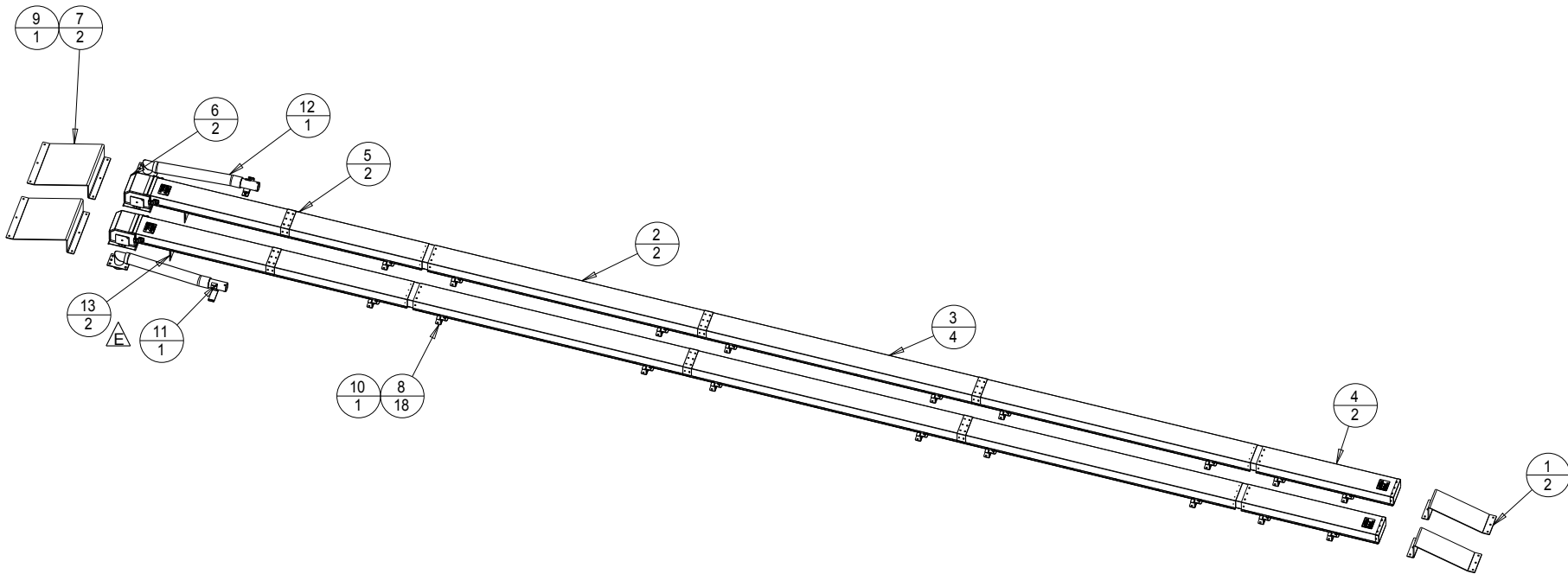


INDEX	PART#	DESCRIPTION	QTY
1	11220	DFTR, 8"W FOR WOOD TIE	2
2	11233-04	DUCT, TRACK 8*4*96" INT/PLAIN	2
3	11233-05	DUCT, TRACK 8*4*96" EXT/PLAIN	4
4	11233-08	DUCT, TRACK 8*4*48" INT/CAP	2
5	11236	DUCT, TRACK 8*4*96" FLGD	2
6	12569	ELBOW TOP, TD 8*4" QDISC FLTG	2
7	14295-01	DFTR, 18"W FOR WOOD TIE	2
8	15157	BRKT, TD 2.19"H ADJ 8"TD SH	18
9	16022	KIT, HDW, INSTL DFLTR W/TIE 4	1
10	16023-02	KIT, HDW, INSTL TD BRKT, WOOD*22	1
11	17173-02-1	NOZ ASSY, SH POINT END, RAIL MTG CROSS, RIGHT CONFIG	1
12	17173-02-2	NOZ ASSY, SH POINT END, RAIL MTG CROSS, LEFT CONFIG	1
13	17739	TRACK DUCT SUPPORT, GAUGE PLATE	2

TITLE	TRACKDUCT SYS SH 9*9>8*4**36" W/TIE	DRAWING NUMBER	REV.
		17111	E SHT. 1/1



NOTE: SET BRACKETS AT 2.69".

MATERIAL	AS SHOWN	SCALE	AS SHOWN	UNLESS OTHERWISE SPECIFIED DIMENSIONS ARE IN INCHES	XX ± 0.03 XXX ± 0.01	ANGLES ± 0.5 ° OTHER _____	CCI THERMAL TECHNOLOGIES INC.	DWG SIZE	A1	E	17739 WAS 15152.16023-02 WAS -04. QTY 18 WAS 16. MODELLED IN PROE WAS IN ACAD. EGN 2405.	29JUNE2011	GCH
DWN	GCH	DATE DWN	29JUNE2011	CHKD	DATE		REV	DESCRIPTION	DATE	CHKD			