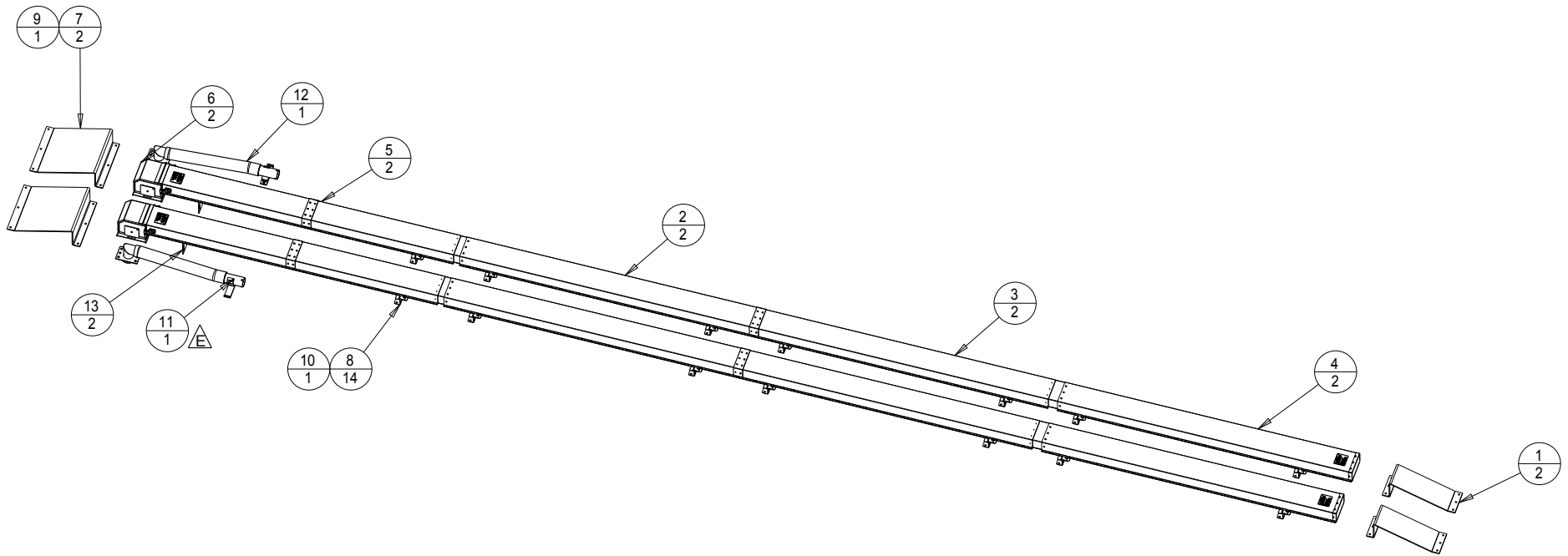


INDEX	PART#	DESCRIPTION	QTY
1	11220	DFTR, 8"W FOR WOOD TIE	2
2	11233-04	DUCT, TRACK 8*4*96" INT/PLAIN	2
3	11233-05	DUCT, TRACK 8*4*96" EXT/PLAIN	2
4	11233-06	DUCT, TRACK 8*4*96" INT/CAP	2
5	11236	DUCT, TRACK 8*4*96" FLGD	2
6	12569	ELBOW TOP, TD 8*4" QDISC FLTG	2
7	14295-01	DFTR, 18"W FOR WOOD TIE	2
8	15157	BRKT, TD 2.19"H ADJ 8"TD SH	14
9	16022	KIT, HDW, INSTL DFLTR W/TIE 4	1
10	16023-04	KIT, HDW, INSTL TD BRKT, WOOD*18	1
11	17173-02-1	NOZ ASSY, SH POINT END, RAIL MTG CROSS, RGHT CONFIG	1
12	17173-02-2	NOZ ASSY, SH POINT END, RAIL MTG CROSS, LEFT CONFIG	1
13	17739	TRACK DUCT SUPPORT, GAUGE PLATE	2

TITLE	TRACKDUCT SYS SH 9*9>8*4**32' W/TIE	DRAWING NUMBER	REV.
		17110	E SHT. 1/1



NOTE: SET BRACKETS AT 2.69".

MATERIAL	AS SHOWN	SCALE	AS SHOWN	UNLESS OTHERWISE SPECIFIED DIMENSIONS ARE IN INCHES	XX ± 0.03 XXX ± 0.01	ANGLES ± 0.5 ° OTHER _____	CCI THERMAL TECHNOLOGIES INC.	DWG SIZE	E	17739 WAS 15152, 16023-04 WAS -01, QTY 14 WAS 12 MODELLED IN PROE WAS IN ACAD, ECN 2405.	29JUNE2011	GCH		
							DWN GCH	DATE DWN 29JUNE2011	CHKD	DATE	REV	DESCRIPTION	DATE	CHKD