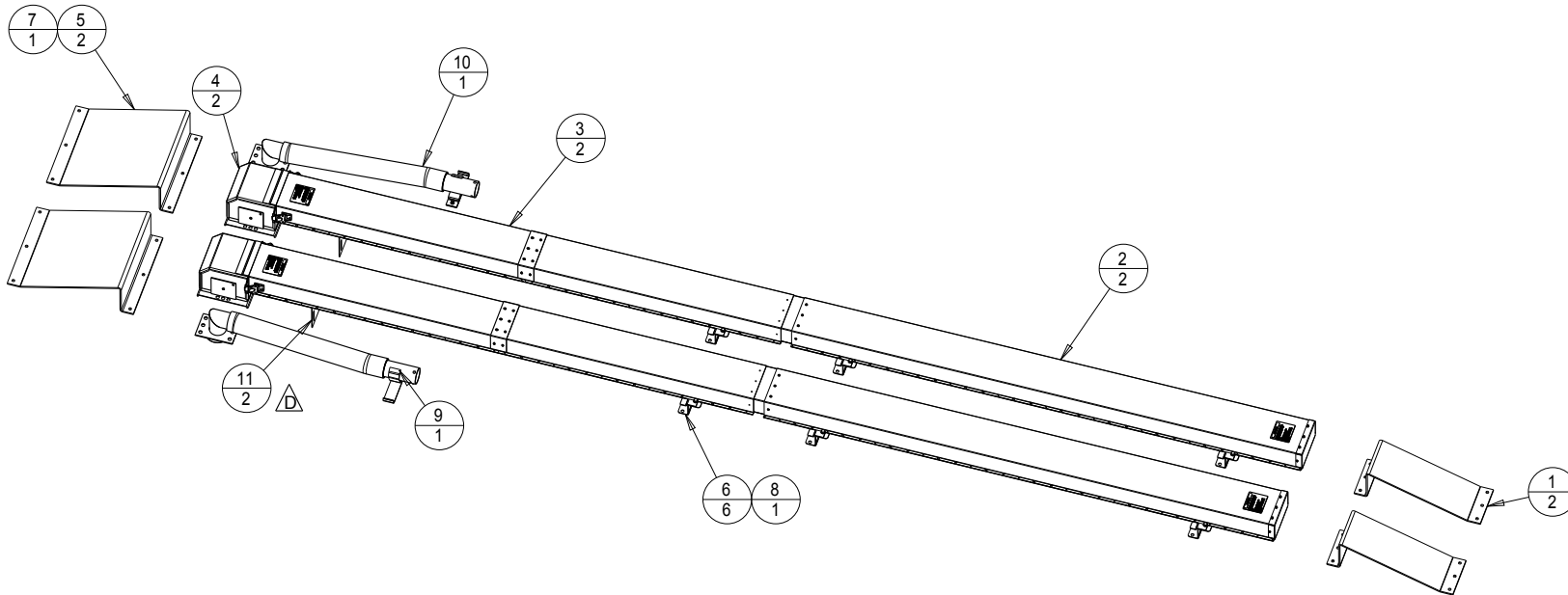


INDEX	PART#	DESCRIPTION	QTY
1	11220	DFTR, 8"W FOR WOOD TIE	2
2	11233-06	DUCT, TRACK 8*4*96" INT/CAP	2
3	11236	DUCT, TRACK 8*4*96" FLGD	2
4	12569	ELBOW TOP, TD 8*4" QDISC FLTG	2
5	14295-01	DFTR, 18"W FOR WOOD TIE	2
6	15157	BRKT, TD 2.19"H ADJ 8"TD SH	6
7	16022	KIT, HDW, INSTL DFLTR W/TIE 4	1
8	16023-07	KIT, HDW, INSTL TD BRKT, WOOD*10	1
9	17173-02-1	NOZ ASSY, SH POINT END, RAIL MTG CROSS, RIGHT CONFIG	1
10	17173-02-2	NOZ ASSY, SH POINT END, RAIL MTG CROSS, LEFT CONFIG	1
11	17739	TRACK DUCT SUPPORT, GAUGE PLATE	2



TITLE TRACKDUCT SYS SH 9*9>8*4**16' W/TIE	DRAWING NUMBER	REV.
	17107	D SHT. 1/1



NOTE: SET BRACKETS AT 2.69".

MATERIAL AS SHOWN	SCALE AS SHOWN	UNLESS OTHERWISE SPECIFIED DIMENSIONS ARE IN INCHES	XX ± 0.03	ANGLES ± 0.5 °	CCI THERMAL TECHNOLOGIES INC.			DWG SIZE	D	17739 WAS 15152. MODELLED IN PROE WAS IN ACAD. ECN2405.	29JUNE2011	GCH
			XXX ± 0.01	OTHER _____	DWN GCH	DATE DWN 29JUNE2011	CHKD	DATE	A1	REV	DESCRIPTION	DATE