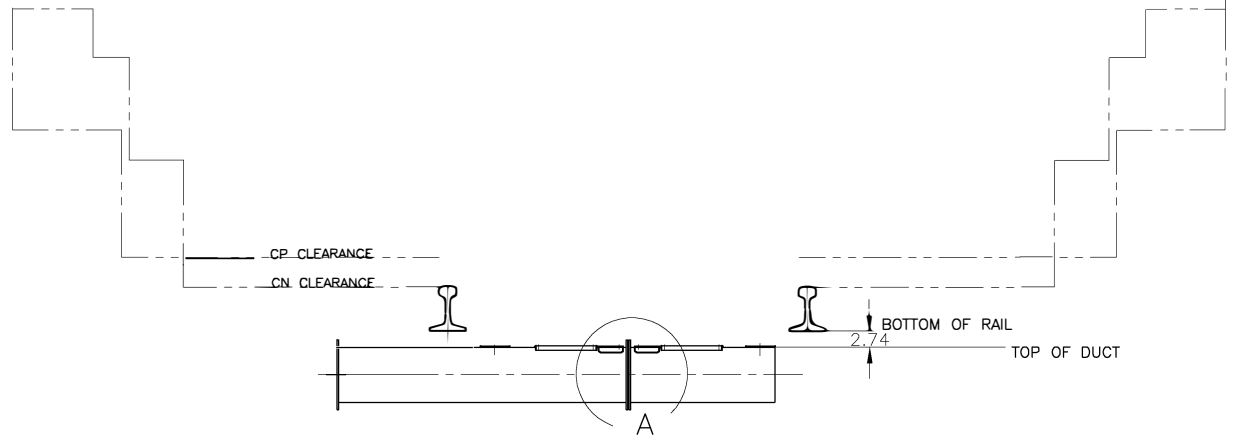
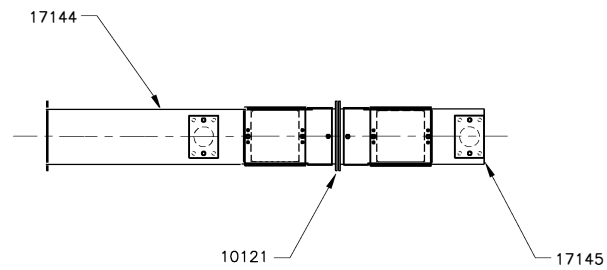


DETAIL 'A'

GASKET KIT P/N 10121
HARDWARE ASSY DETAIL



MATERIAL		APPLICATION		UNLESS OTHERWISE SPECIFIED DIMENSIONS ARE IN INCH		A		PRODUCTION RELEASE			
SEE SEPARATE B O M				XX	± .03	CCI THERMAL TECHNOLOGIES INC.		DESCRIPTION		DATE	APPR.
				XXX	± .010	DWN	CCB	DATE	1.3 MAR 01	CHECKED	DATE
				HOLES	± .010	TITLE		DUCT ASSY, 9 X 9" 14GA SST SH,		DRAWING NUMBER	
				ANGLES	± 1°	SCALE		1/10		17105	
						REV		A		DWG SIZE	
						SHT		1		OF 1	