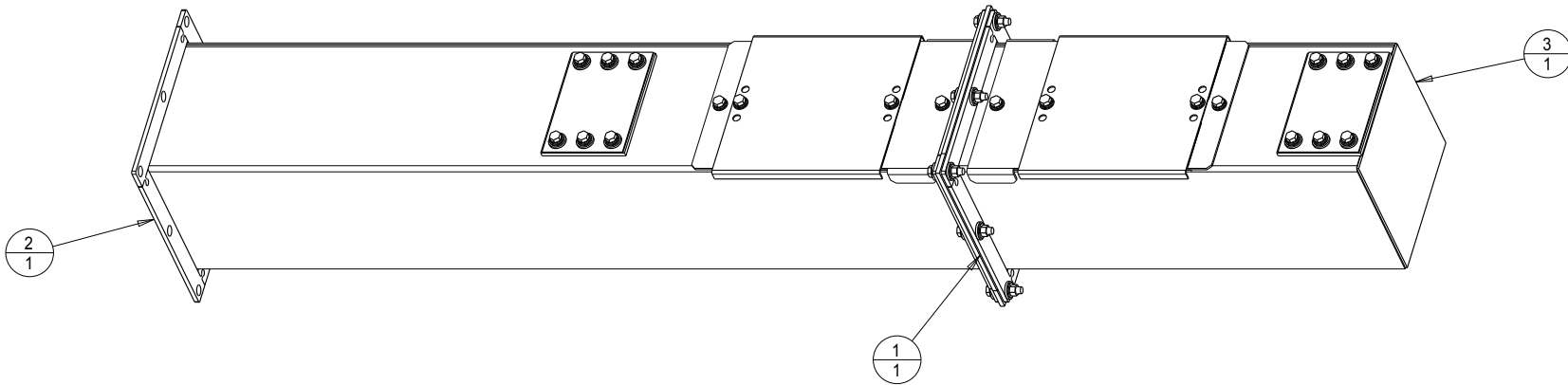


INDEX	PART#	DESCRIPTION	QTY
1	10121	KIT, GSKT, SH 9*9" C/W HDW	1
2	15166-01	DUCT, CROSS SH, FOR 8" ELBOWS 9*9"	1
3	15167-01	DUCT, END SH, FOR 8" ELBOWS 9*9"	1

TITLE	DRAWING NUMBER	REV.
DUCT ASSY, 9*9", 11GA, GALV, SH	17104	B
		SHT. 1/1



MATERIAL	AS SHOWN	SCALE	UNLESS OTHERWISE SPECIFIED DIMENSIONS ARE IN INCHES	XX ± 0.03 XXX ± 0.01	ANGLES ± 0.5 ° OTHER _____	CCI THERMAL TECHNOLOGIES INC		DWG SIZE	B	MODELLED AND REDRAWN IN PROE. NON ECN.	30JUNE2011	GCH
						DWN GCH	DATE DWN 30JUNE2011	CHKD	DATE	A1	REV	DESCRIPTION