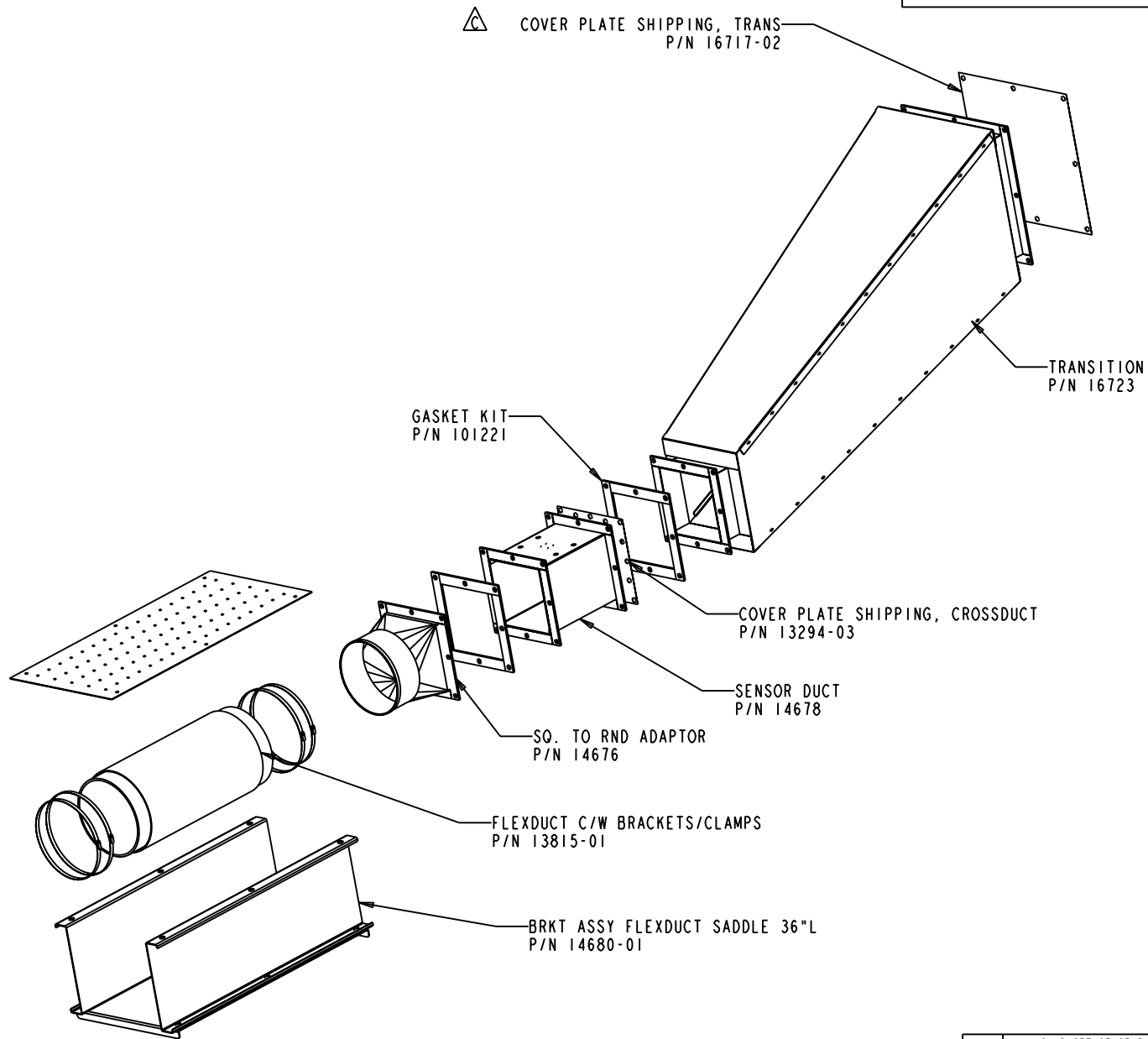


TITLE
 DUCT ASSY, TRANS 16*16>TIE
 HELLFIRE 400,2000, 155" CLR

DRAWING NUMBER REV. C
 17033 SHT. 1/1



SCALE 0.050

MATERIAL
 SEE INDIVIDUAL PART DRAWINGS

SCALE
 AS SHOWN

UNLESS OTHERWISE SPECIFIED
 DIMENSIONS ARE IN INCHES
 XX ± 0.03
 XXX ± 0.01
 ANGLES ± 0.5°
 OTHER -----

CCI THERMAL TECHNOLOGIES INC.

DWG
 SIZE
 A1

DWN	DATE DWN	CHKD	DATE
CDP	00/04/03		

C	2 ND SET OF GEAR CLAMPS SHOWN SHIP COVER 16717-02 WAS 16717, ECN 1513	26 MAR 02	CCB
B	PICTORIALLY UPDATE TO REMOVE ONE SET OF BRIDGE CLAMPS, PER ECN 1309	10 JUL 01	CCB
A	PRODUCTION RELEASE	00/04/03	CDP
LTR	DESCRIPTION	DATE	CHKD