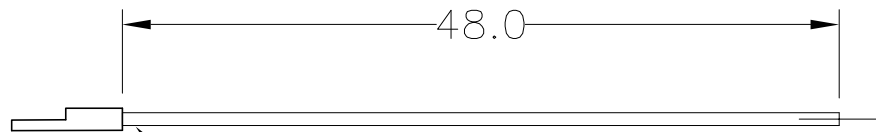
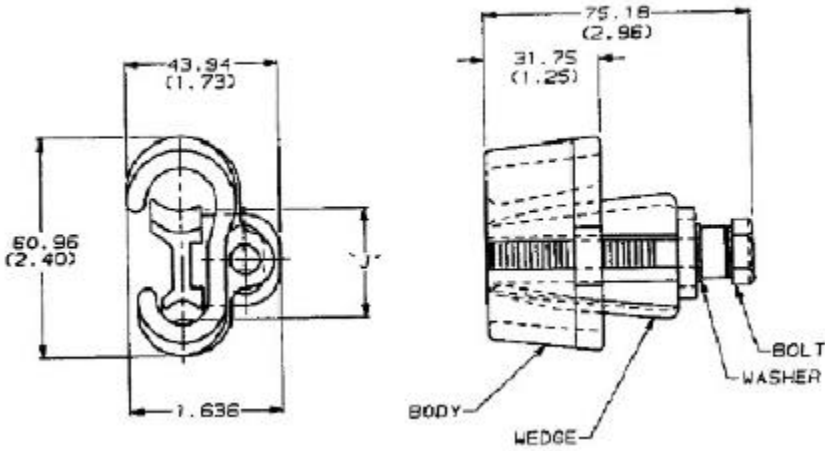


5/8"φ X 8' GROUND ROD 9070-0068 (X1)



14296-02 (X1)



TYCO GRD CLAMP 9019-0045 (X1)  $\triangle D$   $\triangle E$

12825-03

E	TYCO GRD CLAMP HVY P/N 9019-0045 WAS 0041.ECN 1367.12 OCT 01. CCB		
D	PRODUCTION RELEASE, 9019-0041 WAS -0038		
LTR	DESCRIPTION	DATE	APPL

MATERIAL SEE SEPARATE B O M	APPLICATION	UNLESS OTHERWISE SPECIFIED DIMENSIONS ARE IN INCH XX $\pm$ .03 XXX $\pm$ .010 HOLES $\pm$ .010 ANGLES $\pm$ 1°	CCI THERMAL TECHNOLOGIES INC.				DRAWING NUMBER <b>12825</b>
			DWN MBP	DATE 28 NOV 00	CHECKED	DATE	DWG SIZE <b>A1</b>
SCALE 1/25	TITLE <b>GROUND ROD KIT 1 ROD, 1 CLAMP</b>						