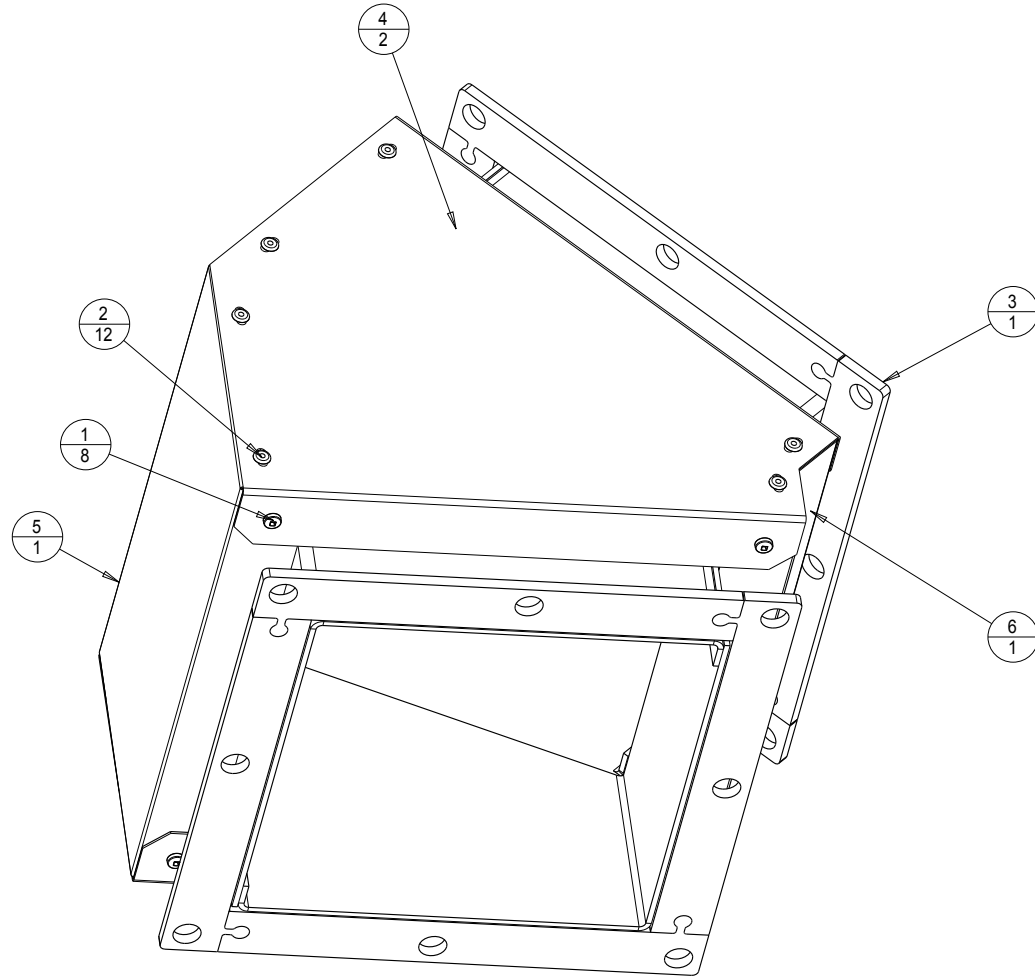


INDEX	PART#	DESCRIPTION	QTY
1	9000-5008	SCR SD #10-16*.75"L R/PH TEKS STL	8
2	9004-0013	RIVET .188" .13-.25" POP STL DOME HD	12
3	10139	DUCT, ELBOW SH 9*9" 45 DEG 11GA UNINSU	1
4	10144-1	TOP/BTM COVER	2
5	10144-2	LEFT SIDE COVER	1
6	10144-3	RIGHT SIDE COVER	1

TITLE DUCT, ELBOW SH 9*9" 45 DEG 11GA INSUL	DRAWING NUMBER	REV.
	10144	E SHT. 1/4



MATERIAL AS SHOWN	SCALE AS SHOWN	UNLESS OTHERWISE SPECIFIED DIMENSIONS ARE IN INCHES	XX ± 0.03 XXX ± 0.01	ANGLES ± 0.5 ° OTHER _____	CCI THERMAL TECHNOLOGIES INC.			DWG SIZE	E	MODELLED IN PROE AND REDRAWN. NON ECN.	6JULY2011	GCH
					DWN GCH	DATE DWN 05JULY2011	CHKD	DATE	A1	REV	DESCRIPTION	DATE