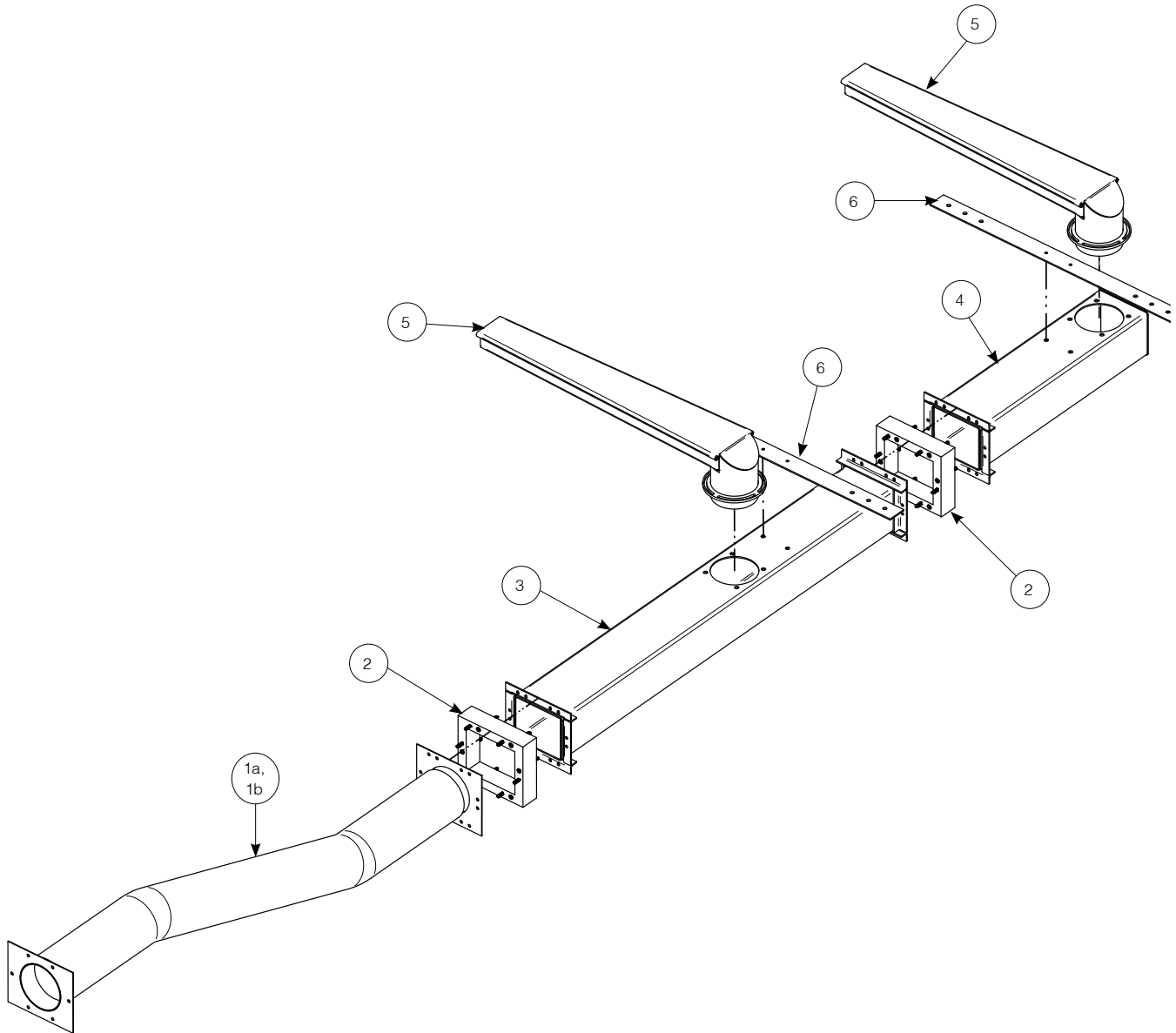


I.3 Fastrax® FEDP Duct Package



Item #	Qty	Description	Part Numbers	
			20 kW, 1 ph	40/60 kW, 3 ph
1a	1	Flex Duct, 60" - Fastrax® FEDP	12971	13031
1b	1	Flex Duct, 72" - Fastrax® FEDP	12990	13032
2	2	Isolation Block c/w Integrated Bolts - Fastrax® FEDP	12983	12986
3	1	Long Duct Section - Fastrax® FEDP	13026	13029
4	1	Short Duct Section - Fastrax® FEDP	13027	13030
5	2	Discharge Nozzle - Fastrax® FEDP	12973	12985
6	2	Tie Strap - Fastrax® FEDP	12982	