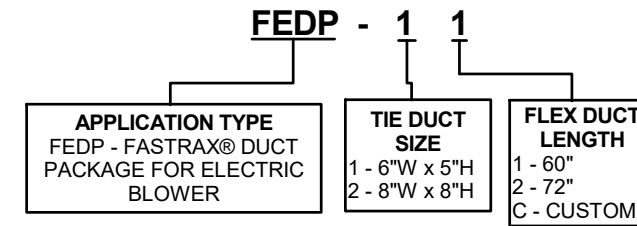
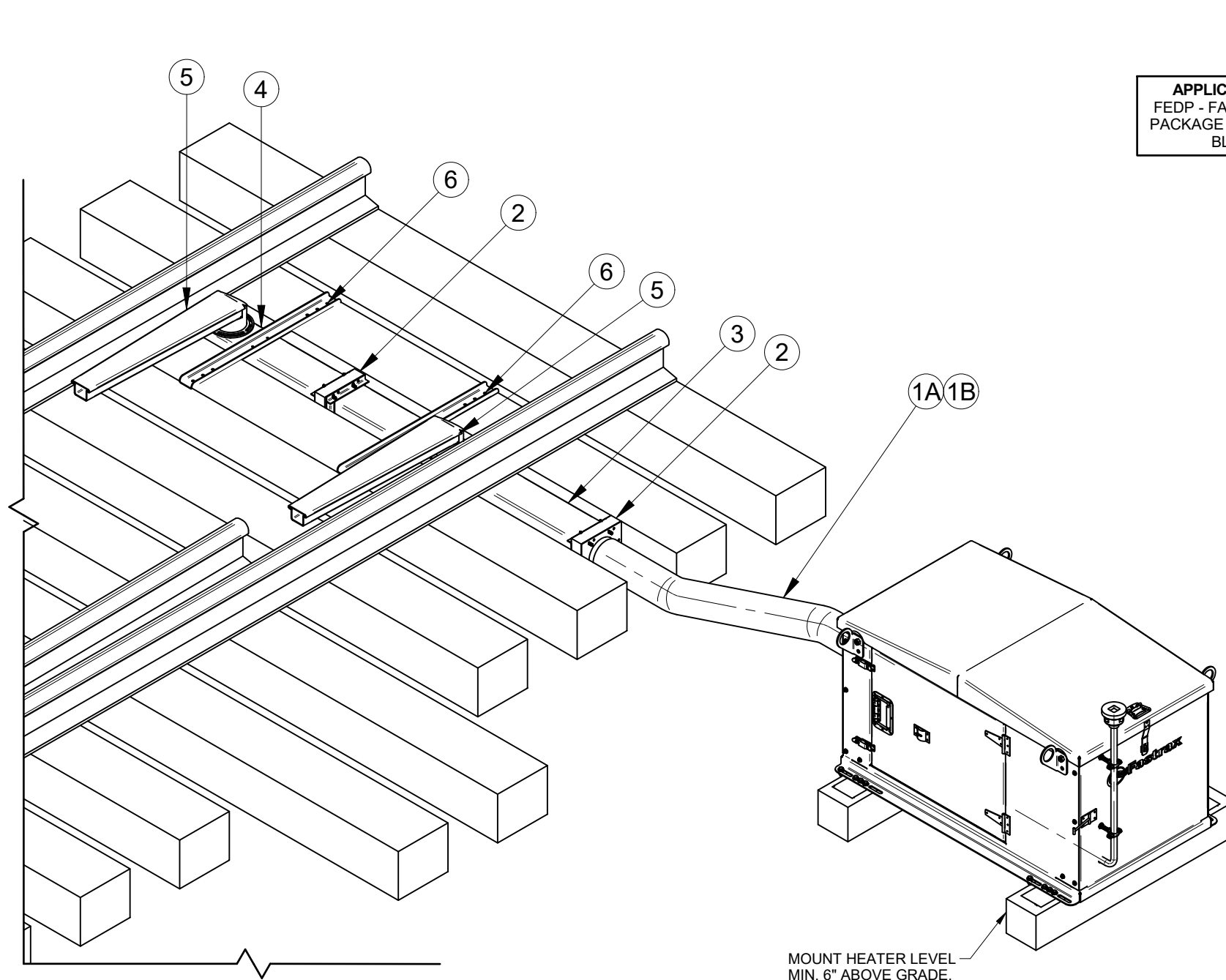
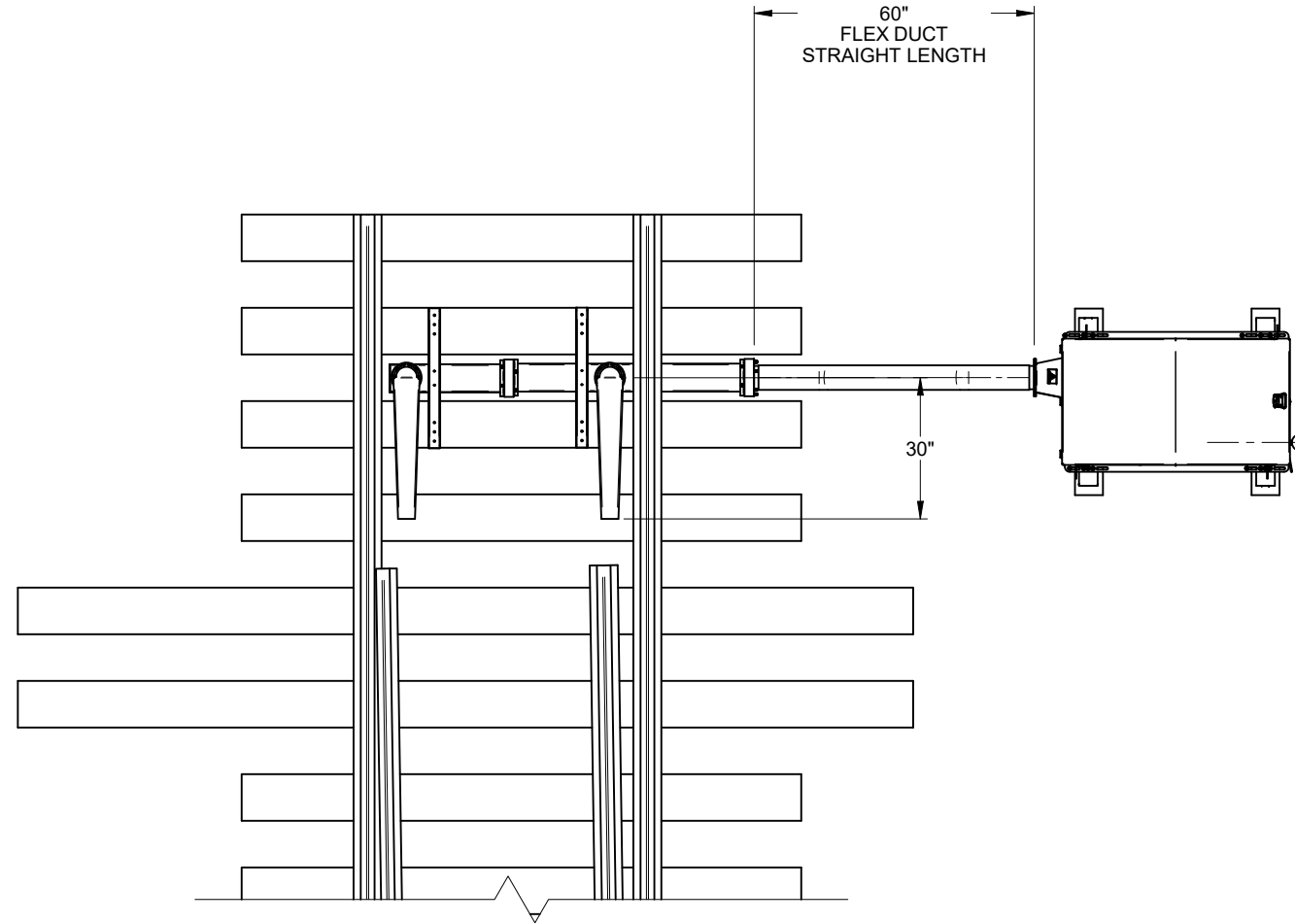
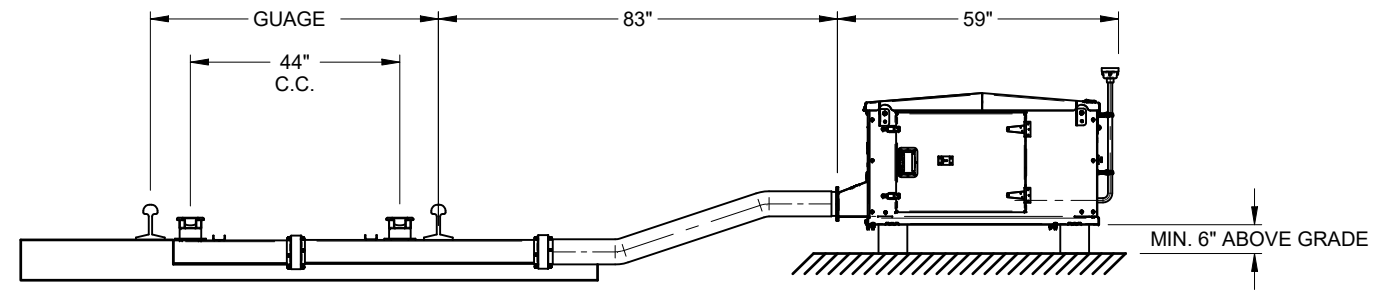


Item #	Description	20 kW	40/60 kW
1A	Flex Duct, 60"	12971-60	13031-60
1B	Flex Duct, 72"	12971-72	13032-72
2	Isolation Block c/w Integrated Bolts	12983	12986
3	Long Distribution Duct Section	13026	13029
4	Short Distribution Duct Section	13027	13030
5	Discharge Nozzle	12973	12985
6	Tie Strap	12982	



MOUNT HEATER LEVEL  
 MIN. 6" ABOVE GRADE,  
 MOUNTING BLOCKS  
 SUPPLIED AS SHOWN

REV.	REVISION DESCRIPTION	DATE	BY
TITLE: TIE DUCT LAYOUT - FASTRAX FEB			
DWG NO.: 51907 SHEET: 1 OF 2		TOLERANCE UNLESS NOTED OTHERWISE	
SYTLINE NO.: FEDP-11		± 1/2"	± 0.005"
SCALE: NTS		ANGULAR	DECIMAL
DRN BY: GMillard 08 Dec 2015		± 1/16"	± 4 mm
CHK'D BY: LB		FRACTIONAL	METRIC
APP'D. BY:			



NOTES:

- 1. ALL DIMENSIONS IN INCHES, UNLESS OTHERWISE SPECIFIED.

REV.	REVISION DESCRIPTION	DATE	BY
TITLE: TIE DUCT LAYOUT - FASTRAX FEB			
DWG NO.: 51907	SHEET: 2 OF 2	TOLERANCE UNLESS NOTED OTHERWISE	
SYTLINE NO.: FEDP-11		± 1/2°	± 0.005"
SCALE: NTS		ANGULAR	DECIMAL
DRN BY: GMillard	08 Dec 2015	± 1/16"	± 4 mm
CHK'D BY: LB		FRACTIONAL	METRIC
APP'D. BY:		